

AK CLASS 4 SERIES



AK Class 4

AK CLASS 4 BENEFITS

- Standard AK interface
- High robustness against vibrations
- Higher operating temperatures

AK CLASS 4 FEATURES

- Header compatible with both straight & right angle female connector
- Connector and header design according to AK interface specification and LV215 latest revision
- Individual shielded cables
- Fully interchangeable with other AK supplier sources



AVAILABLE CONFIGURATIONS

Configurations	2 way header connector & 2 way female connector
Terminal Size/Style:	Ø8mm round terminal system
Wire Range:	25, 35 & 50mm ²
Indexes:	4



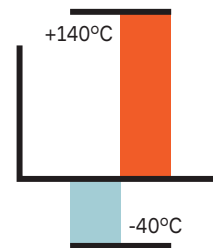
APPLICATIONS

High voltage / high current modules:
inverter, battery, junction box, power electric box

See back page for representative part numbers.



TEMPERATURE



MAX CURRENT & VOLTAGE



VIBRATION



SEALING CLASS



Sealed

About Aptiv

Aptiv is a global technology company that develops safer, greener and more connected solutions enabling the future of mobility. Headquartered in Dublin, Aptiv has approximately 150,000 employees and operates 14 technical centers, as well as manufacturing sites and customer support centers in 45 countries.

Visit aptiv.com

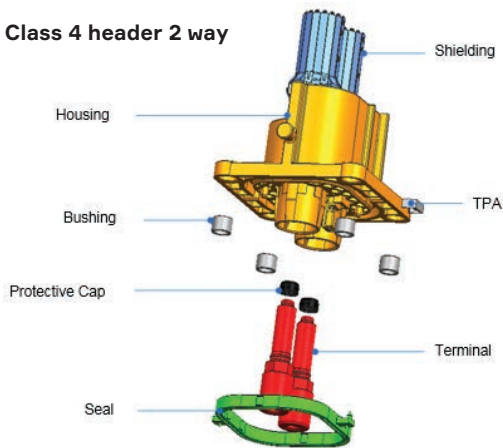


Description	BOM	Part Number
AK4 2 Way Pin Header-Code A UL HB	1	35166503
AK4 2 Way Pin Header-Code B UL HB	1	35166504
AK4 2 Way Pin Header-Code C UL HB	1	35166505
AK4 2 Way Pin Header-Code D UL HB	1	35166506
AK4 2 Way Pin Header-Code A UL V0	1	33351454
AK4 2 Way Pin Header-Code B UL V0	1	33351455
AK Class 4 female Code A UL HB	1	33355781
AK Class 4 female Code B UL HB	1	33355782
AK Class 4 female Code C UL HB	1	33355783
AK Class 4 female Code D UL HB	1	33355784

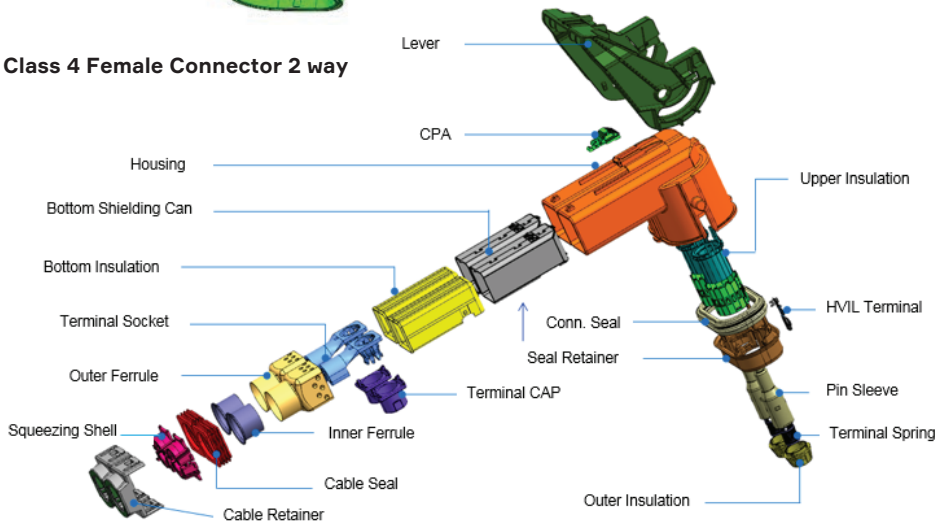
For more specific information, please visit our website.

EXPLODED VIEW

AK Class 4 header 2 way



AK Class 4 Female Connector 2 way



Part numbers, specifications, dimensions and performance data in this document are for general references only and are subject to change without notice. To verify product information, please contact an Aptiv representative.

CS-SP70-HP-En1018